

特殊用途端子之：大电流接线、分线端子  
Specialty purpose terminals: High-current power distribution blocks

## 上海向开电气有限公司 Shanghai XiangKai Electric Co.,Ltd



CE CQC ISO-9001:2008

# 公司简介 Company Introduction

上海向开电气有限公司创建于上世纪七十年代，是一家集技术研发、生产制造、销售服务为一体的科技型企业。

经数十年生产经营传承，公司研发实力雄厚，新产品层出不穷。上世纪末公司在特殊用途端子领域进行了深度研发，经十多年的发展，已成为该领域的引领者，取得了骄人的业绩。目前已经形成了两大系列：大电流接线/分线端子和电缆T接端子。所研发的产品全部拥有自主知识产权，获得十多项国家专利。其中的XK2系列多用途端子获得国家发明专利（ZL200910049966.3），该产品技术国际领先，已远销至欧洲、美洲和大洋洲，并为国际知名企业配套选用；电缆“T”接端子的问世不仅填补了国内空白，而且迅速成为了建筑电气行业性价比最高的电缆分线（T型连接）产品之一，投产十多年以来，已先后为首都机场、浦东机场、奥运工程、世博场馆、高铁工程等上千项国家级重点工程所选用。目前该产品已发展为四大系列，其中一款也获得发明专利（ZL201010190790.6）。产品先后获得建设部《全国住宅小区与智能建筑推荐产品》和《政府保障性电气工程推荐供应商》等称号。

企业已通过ISO-9001质量体系认证。产品先后通过了CE、CQC等认证。

我们的宗旨是为海内外客户提供满意的产品和周到的服务。欢迎选用“向开”牌电气产品。

Shanghai XiangKai Electric Co., Ltd is a technology-driven electrical components design and manufacture company, headquarter in Shanghai, China. Our mission is to provide high quality electrical products and service to our worldwide customer-base.

Entering the 21st century, Shanghai XiangKai Electric Co., Ltd has started our development in the area of specialty terminal blocks and become the segment leader in China. We have published multiple patents and rolled out corresponding new products every year in the past decade. Our high current terminal blocks, multipurpose blocks and separators has been chosen by Siemens, Moeller Electric, Rockwell Automation, ABB, Schneider Electric, and Himoina in their systems. Our T-connection blocks have been proved by many customers as the most cost-effective and reliable product in the market. They are recommended by the China Construction Bureau and used in many Chinese national projects such as Pudong Airport, Beijing Airport, Beijing Olympics, Shanghai World Expo and High-speed Rail constructions.

Our product lines are backed up by a strong R&D and support team to develop best products tailored to customer needs. Shanghai XiangKai Electric Co is ISO-9001 certified and our products have passed, CE, CQC certification.



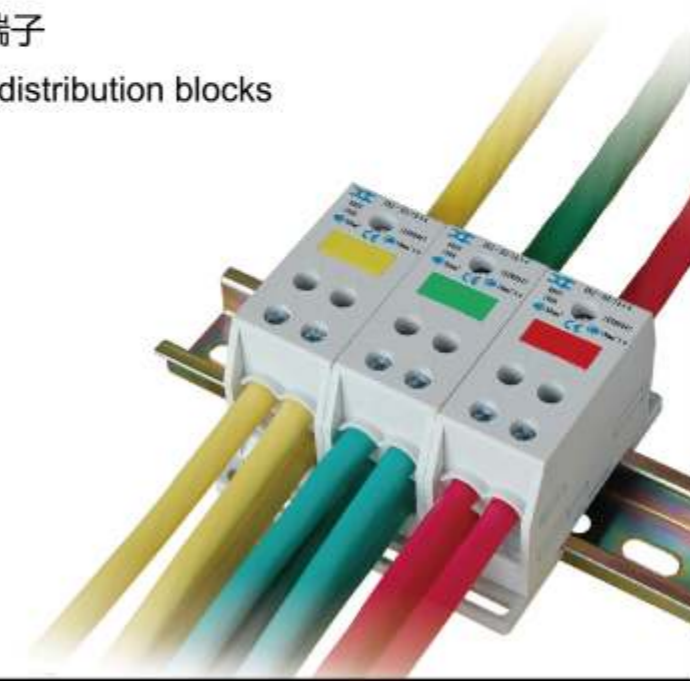
演绎接线新概念 引领端子新潮流



## CONTENTS

### 产品目录

- B1-B7 XK2 多用途接线端子  
XK2 Power distribution blocks
- B8-B10 XK2S 多用途接线端子（开关型）  
XK2S Power distribution blocks for switchgears
- B11-B16 JH27 大电流接线、分线端子  
JH27 high-current power distribution blocks
- B17 XKF 分离式接线柱  
XKF Separators



XK2系列多用途接线端子系专为各类电控配电设备、成套装置及组合式终端电器箱中配线而设计，产品的额定绝缘电压690V，额定工作电压380V，进线端接入导线的截面为：10mm<sup>2</sup>~300mm<sup>2</sup>；出线端可连接导线的截面为：1mm<sup>2</sup>~50mm<sup>2</sup>。该产品结构新颖独特，接线牢固可靠，使用灵活方便。是各类电气装置中母线排（汇流排）、大电流分线端子、接零、接地端子、等电位端子等产品理想的升级换代产品。

XK2系列多用途接线端子相比较同类产品有如下突破性设计：

- 导电部分为导电片加压线框结构，节约有色金属，体积更轻，降低制造和使用成本，造福用户；
- 接线时不用先拧松螺钉，导线可直接插入端子再紧固螺钉即可，使效率提高、工效倍增；
- 外形美观坚固，防护等级IP20，使用更安全；
- 两种安装方式：底板直接安装，导轨安装；
- 符合IEC标准颜色的标记条；
- 符合IEC60947-7-1，GB14048.7.1标准；
- 两种并联模式：内部并联，外部并联。通过以上两种模式的并联可以组合成数百种接线款式，成为端子中名副其实的“百变金刚”。



XK2 series is designed for a wide variety of electrical systems. It is a perfect upgrade for busbars, traditional power distribution blocks and strip connections. The unique socket design provides customers safe and reliable installation.

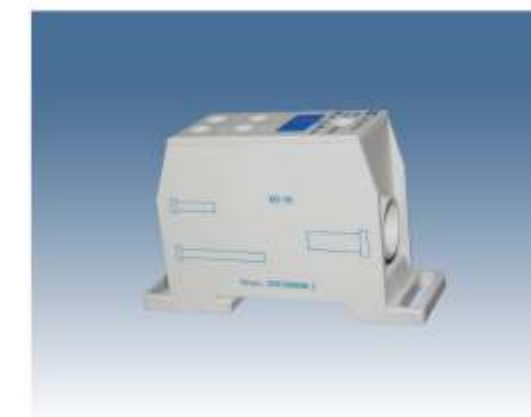
- Provides hundreds of input/output combination with internal and external parallel connection methods, giving wiring professionals remarkable flexibility.
- Low-cost and reliable contact point design.
- Supports 10mm<sup>2</sup>~300mm<sup>2</sup> gauge in and 1mm<sup>2</sup> ~ 50mm<sup>2</sup> gauge out.
- Insert and click to connect cable, no need to loose screw.
- Can be mounted on TH 35 DIN rail or on base-plate.
- Passed UL 94 V-0 flammability test.
- IEC 60529 IP20 rated safety protection.
- IEC standard color code (blue, red, yellow, green, and yellow-green)
- Fit for IEC60947-7-1.



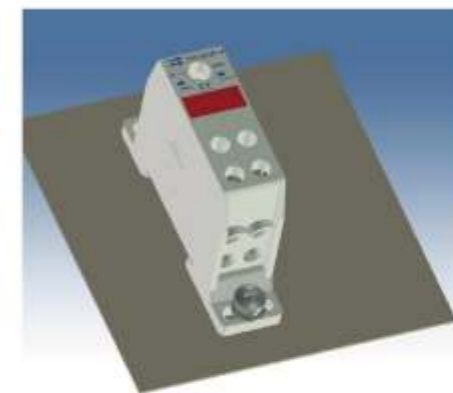
● 筒式接线  
Cylinder Input



● 导电连接  
Conductive body connection



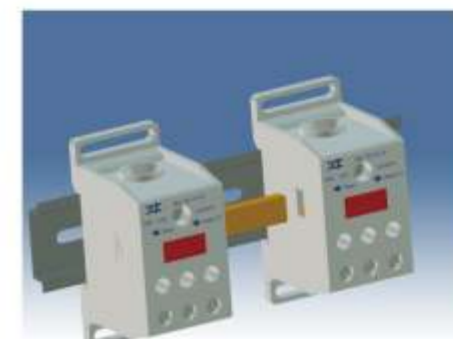
● 剥线长度1:1直接量取  
Stripping length indicator ( 1:1 )



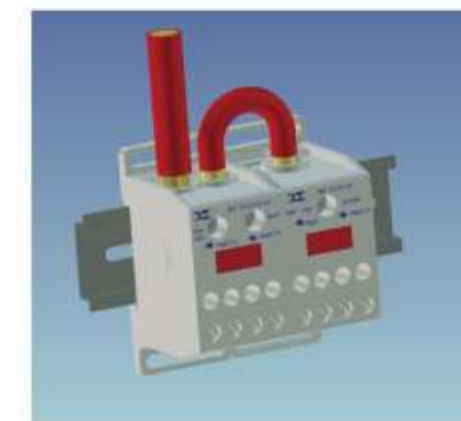
● 底板安装  
Mount on base-plate through bolts/screws



● 导轨安装  
Mount on TH 35 DIN rail



● 内部并联  
Internal parallel connection



● 外部并联  
External parallel connection

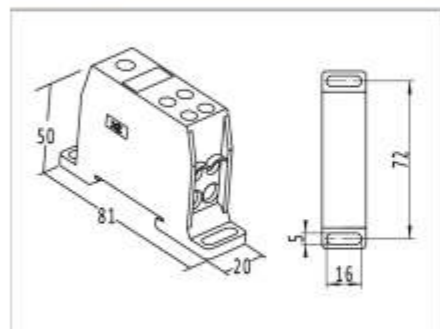
专利号：200910049966.3 201120147238.9  
Patent No:





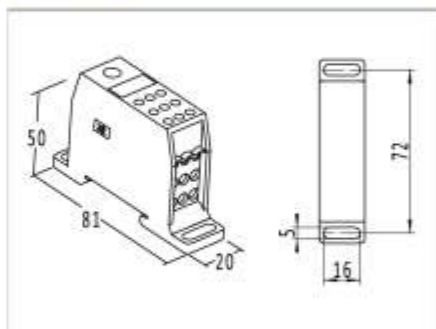
XK2-35/10×4

|                         |   |      |       |      |       |      |       |
|-------------------------|---|------|-------|------|-------|------|-------|
| 接线型式<br>Connection type | 一路进线, 四路出线<br>1 input, 4 output   |      |       |      |       |      |       |
| 电流<br>Rated current     | 125A  |      |       |      |       |      |       |
| 电压<br>Rated voltage     | 690V  |      |       |      |       |      |       |
| 进线<br>Inputs            | 10~35mm <sup>2</sup>  |      |       |      |       |      |       |
| 压线螺钉<br>Screw           | M8  |      |       |      |       |      |       |
| 螺钉头形<br>Screw heads     |   |      |       |      |       |      |       |
| 扭矩<br>Torque            | 6N·m  |      |       |      |       |      |       |
| 出线<br>Outputs           | 4×2.5~10mm <sup>2</sup>   |      |       |      |       |      |       |
| 压线螺钉<br>Screw           | M4  |      |       |      |       |      |       |
| 螺钉头形<br>Screw heads     | ⊕ PH2   |      |       |      |       |      |       |
| 扭矩<br>Torque            | 1.2~1.8N·m  |      |       |      |       |      |       |
| 安装螺钉<br>Mounting screw  | M4  |      |       |      |       |      |       |
| 包装<br>Packaging         | 20  |      |       |      |       |      |       |
| 色号<br>Color code        | <table border="0"> <tr> <td>● -Y</td> <td>● - B</td> </tr> <tr> <td>● -G</td> <td>● -YG</td> </tr> <tr> <td>● -R</td> <td>● -LG</td> </tr> </table> | ● -Y | ● - B | ● -G | ● -YG | ● -R | ● -LG |
| ● -Y                    | ● - B   |      |       |      |       |      |       |
| ● -G                    | ● -YG   |      |       |      |       |      |       |
| ● -R                    | ● -LG   |      |       |      |       |      |       |
| 订货号<br>Order No         | XK05110   |      |       |      |       |      |       |



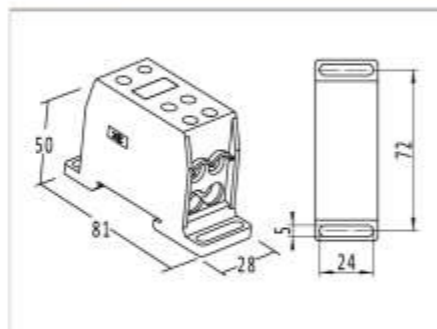
XK2-35/4×9

|                         |   |      |       |      |       |      |       |
|-------------------------|---|------|-------|------|-------|------|-------|
| 接线型式<br>Connection type | 一路进线, 九路出线<br>1 input, 9 output   |      |       |      |       |      |       |
| 电流<br>Rated current     | 125A  |      |       |      |       |      |       |
| 电压<br>Rated voltage     | 690V  |      |       |      |       |      |       |
| 进线<br>Inputs            | 10~35mm <sup>2</sup>  |      |       |      |       |      |       |
| 压线螺钉<br>Screw           | M8  |      |       |      |       |      |       |
| 螺钉头形<br>Screw heads     |   |      |       |      |       |      |       |
| 扭矩<br>Torque            | 6N·m  |      |       |      |       |      |       |
| 出线<br>Outputs           | 9×1~4mm <sup>2</sup>  |      |       |      |       |      |       |
| 压线螺钉<br>Screw           | M3  |      |       |      |       |      |       |
| 螺钉头形<br>Screw heads     | ⊖ S 0.8×4   |      |       |      |       |      |       |
| 扭矩<br>Torque            | 0.5~0.8N·m  |      |       |      |       |      |       |
| 安装螺钉<br>Mounting screw  | M4  |      |       |      |       |      |       |
| 包装<br>Packaging         | 20  |      |       |      |       |      |       |
| 色号<br>Color code        | <table border="0"> <tr> <td>● -Y</td> <td>● - B</td> </tr> <tr> <td>● -G</td> <td>● -YG</td> </tr> <tr> <td>● -R</td> <td>● -LG</td> </tr> </table> | ● -Y | ● - B | ● -G | ● -YG | ● -R | ● -LG |
| ● -Y                    | ● - B   |      |       |      |       |      |       |
| ● -G                    | ● -YG   |      |       |      |       |      |       |
| ● -R                    | ● -LG   |      |       |      |       |      |       |
| 订货号<br>Order No         | XK05120   |      |       |      |       |      |       |



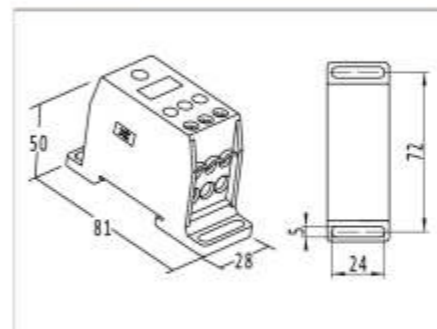
XK2-35+25/16×4

|                         |   |      |       |      |       |      |       |
|-------------------------|---|------|-------|------|-------|------|-------|
| 接线型式<br>Connection type | 二路进线, 四路出线<br>2 input, 4 output   |      |       |      |       |      |       |
| 电流<br>Rated current     | 125A  |      |       |      |       |      |       |
| 电压<br>Rated voltage     | 690V  |      |       |      |       |      |       |
| 进线<br>Inputs            | 1×10~35mm <sup>2</sup><br>1×6~25mm <sup>2</sup>   |      |       |      |       |      |       |
| 压线螺钉<br>Screw           | M8<br>M5  |      |       |      |       |      |       |
| 螺钉头形<br>Screw heads     |   |      |       |      |       |      |       |
| 扭矩<br>Torque            | 6N·m<br>2.5N·m  |      |       |      |       |      |       |
| 出线<br>Outputs           | 4×4~16mm <sup>2</sup>   |      |       |      |       |      |       |
| 压线螺钉<br>Screw           | M4  |      |       |      |       |      |       |
| 螺钉头形<br>Screw heads     | ⊕ PH2   |      |       |      |       |      |       |
| 扭矩<br>Torque            | 1.5~2N·m  |      |       |      |       |      |       |
| 安装螺钉<br>Mounting screw  | M4  |      |       |      |       |      |       |
| 包装<br>Packaging         | 12  |      |       |      |       |      |       |
| 色号<br>Color code        | <table border="0"> <tr> <td>● -Y</td> <td>● - B</td> </tr> <tr> <td>● -G</td> <td>● -YG</td> </tr> <tr> <td>● -R</td> <td>● -LG</td> </tr> </table> | ● -Y | ● - B | ● -G | ● -YG | ● -R | ● -LG |
| ● -Y                    | ● - B   |      |       |      |       |      |       |
| ● -G                    | ● -YG   |      |       |      |       |      |       |
| ● -R                    | ● -LG   |      |       |      |       |      |       |
| 订货号<br>Order No         | XK05130   |      |       |      |       |      |       |



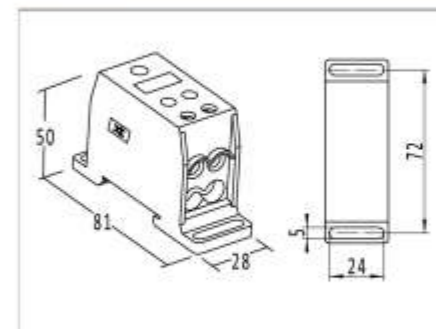
XK2-50/10×6

|                         |   |      |       |      |       |      |       |
|-------------------------|---|------|-------|------|-------|------|-------|
| 接线型式<br>Connection type | 一路进线, 六路出线<br>1 input, 6 output   |      |       |      |       |      |       |
| 电流<br>Rated current     | 150A  |      |       |      |       |      |       |
| 电压<br>Rated voltage     | 690V  |      |       |      |       |      |       |
| 进线<br>Inputs            | 16~50mm <sup>2</sup>  |      |       |      |       |      |       |
| 压线螺钉<br>Screw           | M8  |      |       |      |       |      |       |
| 螺钉头形<br>Screw heads     |   |      |       |      |       |      |       |
| 扭矩<br>Torque            | 6N·m  |      |       |      |       |      |       |
| 出线<br>Outputs           | 6×2.5~10mm <sup>2</sup>   |      |       |      |       |      |       |
| 压线螺钉<br>Screw           | M4  |      |       |      |       |      |       |
| 螺钉头形<br>Screw heads     | ⊕ PH2   |      |       |      |       |      |       |
| 扭矩<br>Torque            | 1.2~1.8N·m  |      |       |      |       |      |       |
| 安装螺钉<br>Mounting screw  | M4  |      |       |      |       |      |       |
| 包装<br>Packaging         | 12  |      |       |      |       |      |       |
| 色号<br>Color code        | <table border="0"> <tr> <td>● -Y</td> <td>● - B</td> </tr> <tr> <td>● -G</td> <td>● -YG</td> </tr> <tr> <td>● -R</td> <td>● -LG</td> </tr> </table> | ● -Y | ● - B | ● -G | ● -YG | ● -R | ● -LG |
| ● -Y                    | ● - B   |      |       |      |       |      |       |
| ● -G                    | ● -YG   |      |       |      |       |      |       |
| ● -R                    | ● -LG   |      |       |      |       |      |       |
| 订货号<br>Order No         | XK05210   |      |       |      |       |      |       |



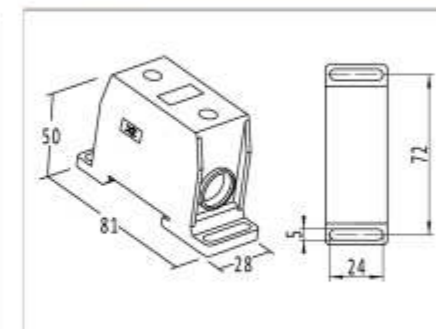
XK2-50/16×4

|                         |   |      |       |      |       |      |       |
|-------------------------|---|------|-------|------|-------|------|-------|
| 接线型式<br>Connection type | 一路进线, 四路出线<br>1 input, 4 output   |      |       |      |       |      |       |
| 电流<br>Rated current     | 150A  |      |       |      |       |      |       |
| 电压<br>Rated voltage     | 690V  |      |       |      |       |      |       |
| 进线<br>Inputs            | 16~50mm <sup>2</sup>  |      |       |      |       |      |       |
| 压线螺钉<br>Screw           | M8  |      |       |      |       |      |       |
| 螺钉头形<br>Screw heads     |   |      |       |      |       |      |       |
| 扭矩<br>Torque            | 6N·m  |      |       |      |       |      |       |
| 出线<br>Outputs           | 4×4~16mm <sup>2</sup>   |      |       |      |       |      |       |
| 压线螺钉<br>Screw           | M4  |      |       |      |       |      |       |
| 螺钉头形<br>Screw heads     | ⊕ PH2   |      |       |      |       |      |       |
| 扭矩<br>Torque            | 1.5~2N·m  |      |       |      |       |      |       |
| 安装螺钉<br>Mounting screw  | M4  |      |       |      |       |      |       |
| 包装<br>Packaging         | 12  |      |       |      |       |      |       |
| 色号<br>Color code        | <table border="0"> <tr> <td>● -Y</td> <td>● - B</td> </tr> <tr> <td>● -G</td> <td>● -YG</td> </tr> <tr> <td>● -R</td> <td>● -LG</td> </tr> </table> | ● -Y | ● - B | ● -G | ● -YG | ● -R | ● -LG |
| ● -Y                    | ● - B   |      |       |      |       |      |       |
| ● -G                    | ● -YG   |      |       |      |       |      |       |
| ● -R                    | ● -LG   |      |       |      |       |      |       |
| 订货号<br>Order No         | XK05220   |      |       |      |       |      |       |



XK2-70

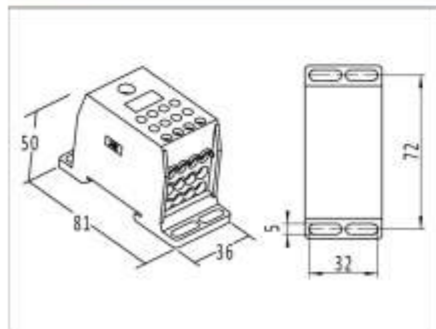
|                         |   |      |       |      |       |      |       |
|-------------------------|---|------|-------|------|-------|------|-------|
| 接线型式<br>Connection type | 一路进线, 一路出线<br>1 input, 1 output   |      |       |      |       |      |       |
| 电流<br>Rated current     | 192A  |      |       |      |       |      |       |
| 电压<br>Rated voltage     | 690V  |      |       |      |       |      |       |
| 进线<br>Inputs            | 25~70mm <sup>2</sup>  |      |       |      |       |      |       |
| 压线螺钉<br>Screw           | M10   |      |       |      |       |      |       |
| 螺钉头形<br>Screw heads     |   |      |       |      |       |      |       |
| 扭矩<br>Torque            | 10N·m   |      |       |      |       |      |       |
| 出线<br>Outputs           | 25~70mm <sup>2</sup>  |      |       |      |       |      |       |
| 压线螺钉<br>Screw           | M10   |      |       |      |       |      |       |
| 螺钉头形<br>Screw heads     |   |      |       |      |       |      |       |
| 扭矩<br>Torque            | 10N·m   |      |       |      |       |      |       |
| 安装螺钉<br>Mounting screw  | M4  |      |       |      |       |      |       |
| 包装<br>Packaging         | 12  |      |       |      |       |      |       |
| 色号<br>Color code        | <table border="0"> <tr> <td>● -Y</td> <td>● - B</td> </tr> <tr> <td>● -G</td> <td>● -YG</td> </tr> <tr> <td>● -R</td> <td>● -LG</td> </tr> </table> | ● -Y | ● - B | ● -G | ● -YG | ● -R | ● -LG |
| ● -Y                    | ● - B   |      |       |      |       |      |       |
| ● -G                    | ● -YG   |      |       |      |       |      |       |
| ● -R                    | ● -LG   |      |       |      |       |      |       |
| 订货号<br>Order No         | XK05300   |      |       |      |       |      |       |





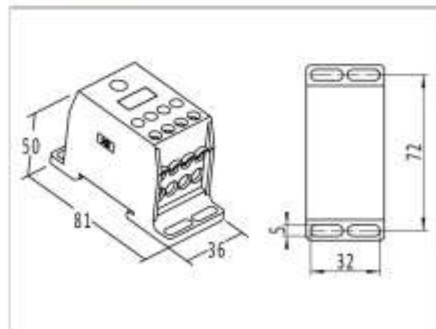
XK2-70/6x12

|                         |   |      |       |      |       |      |       |
|-------------------------|---|------|-------|------|-------|------|-------|
| 接线型式<br>Connection type | 一路进线，十二路出线<br>1 input, 12 output  |      |       |      |       |      |       |
| 电流<br>Rated current     | 192A  |      |       |      |       |      |       |
| 电压<br>Rated voltage     | 690V  |      |       |      |       |      |       |
| 进线<br>Inputs            | 25~70mm <sup>2</sup>  |      |       |      |       |      |       |
| 压线螺钉<br>Screw           | M10   |      |       |      |       |      |       |
| 螺钉头形<br>Screw heads     |   |      |       |      |       |      |       |
| 扭矩<br>Torque            | 10N·m   |      |       |      |       |      |       |
| 出线<br>Outputs           | 12x1.5~6mm <sup>2</sup>   |      |       |      |       |      |       |
| 压线螺钉<br>Screw           | M3.5  |      |       |      |       |      |       |
| 螺钉头形<br>Screw heads     |   |      |       |      |       |      |       |
| 扭矩<br>Torque            | 0.8~1.5N·m  |      |       |      |       |      |       |
| 安装螺钉<br>Mounting screw  | M4  |      |       |      |       |      |       |
| 包装<br>Packaging         | 10  |      |       |      |       |      |       |
| 色号<br>Color code        | <table border="0"> <tr> <td>● -Y</td> <td>● - B</td> </tr> <tr> <td>● -G</td> <td>● -YG</td> </tr> <tr> <td>● -R</td> <td>● -LG</td> </tr> </table> | ● -Y | ● - B | ● -G | ● -YG | ● -R | ● -LG |
| ● -Y                    | ● - B   |      |       |      |       |      |       |
| ● -G                    | ● -YG   |      |       |      |       |      |       |
| ● -R                    | ● -LG   |      |       |      |       |      |       |
| 订货号<br>Order No         | XK05310   |      |       |      |       |      |       |



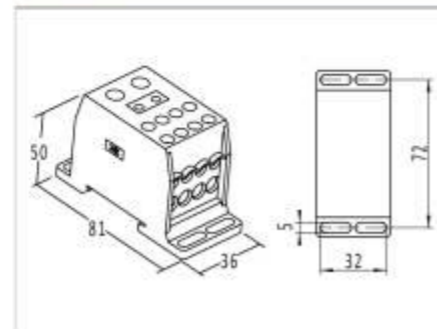
XK2-70/10x8

|                         |   |      |       |      |       |      |       |
|-------------------------|---|------|-------|------|-------|------|-------|
| 接线型式<br>Connection type | 一路进线，八路出线<br>1 input, 8 output  |      |       |      |       |      |       |
| 电流<br>Rated current     | 192A  |      |       |      |       |      |       |
| 电压<br>Rated voltage     | 690V  |      |       |      |       |      |       |
| 进线<br>Inputs            | 25~70mm <sup>2</sup>  |      |       |      |       |      |       |
| 压线螺钉<br>Screw           | M10   |      |       |      |       |      |       |
| 螺钉头形<br>Screw heads     |   |      |       |      |       |      |       |
| 扭矩<br>Torque            | 10N·m   |      |       |      |       |      |       |
| 出线<br>Outputs           | 8x2.5~10mm <sup>2</sup>   |      |       |      |       |      |       |
| 压线螺钉<br>Screw           | M4  |      |       |      |       |      |       |
| 螺钉头形<br>Screw heads     |   |      |       |      |       |      |       |
| 扭矩<br>Torque            | 1.5~1.8N·m  |      |       |      |       |      |       |
| 安装螺钉<br>Mounting screw  | M4  |      |       |      |       |      |       |
| 包装<br>Packaging         | 10  |      |       |      |       |      |       |
| 色号<br>Color code        | <table border="0"> <tr> <td>● -Y</td> <td>● - B</td> </tr> <tr> <td>● -G</td> <td>● -YG</td> </tr> <tr> <td>● -R</td> <td>● -LG</td> </tr> </table> | ● -Y | ● - B | ● -G | ● -YG | ● -R | ● -LG |
| ● -Y                    | ● - B   |      |       |      |       |      |       |
| ● -G                    | ● -YG   |      |       |      |       |      |       |
| ● -R                    | ● -LG   |      |       |      |       |      |       |
| 订货号<br>Order No         | XK05320   |      |       |      |       |      |       |



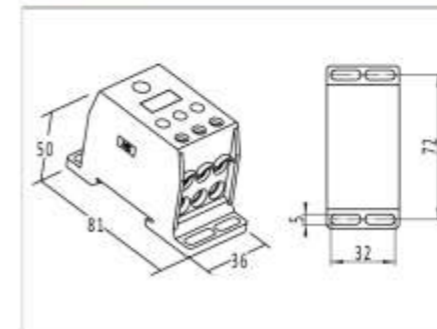
XK2-70x2/10x8

|                         |   |      |       |      |       |      |       |
|-------------------------|---|------|-------|------|-------|------|-------|
| 接线型式<br>Connection type | 二路进线，八路出线<br>2 input, 8 output  |      |       |      |       |      |       |
| 电流<br>Rated current     | 192A  |      |       |      |       |      |       |
| 电压<br>Rated voltage     | 690V  |      |       |      |       |      |       |
| 进线<br>Inputs            | 2x25~70mm <sup>2</sup>  |      |       |      |       |      |       |
| 压线螺钉<br>Screw           | M10   |      |       |      |       |      |       |
| 螺钉头形<br>Screw heads     |   |      |       |      |       |      |       |
| 扭矩<br>Torque            | 10N·m   |      |       |      |       |      |       |
| 出线<br>Outputs           | 8x2.5~10mm <sup>2</sup>   |      |       |      |       |      |       |
| 压线螺钉<br>Screw           | M4  |      |       |      |       |      |       |
| 螺钉头形<br>Screw heads     |   |      |       |      |       |      |       |
| 扭矩<br>Torque            | 1.5~1.8N·m  |      |       |      |       |      |       |
| 安装螺钉<br>Mounting screw  | M4  |      |       |      |       |      |       |
| 包装<br>Packaging         | 10  |      |       |      |       |      |       |
| 色号<br>Color code        | <table border="0"> <tr> <td>● -Y</td> <td>● - B</td> </tr> <tr> <td>● -G</td> <td>● -YG</td> </tr> <tr> <td>● -R</td> <td>● -LG</td> </tr> </table> | ● -Y | ● - B | ● -G | ● -YG | ● -R | ● -LG |
| ● -Y                    | ● - B   |      |       |      |       |      |       |
| ● -G                    | ● -YG   |      |       |      |       |      |       |
| ● -R                    | ● -LG   |      |       |      |       |      |       |
| 订货号<br>Order No         | XK05330   |      |       |      |       |      |       |



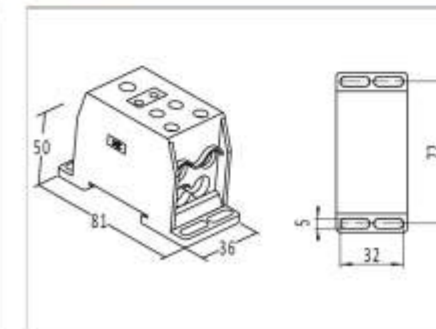
XK2-70/16x6

|                         |   |      |       |      |       |      |       |
|-------------------------|---|------|-------|------|-------|------|-------|
| 接线型式<br>Connection type | 一路进线，六路出线<br>1 input, 6 output  |      |       |      |       |      |       |
| 电流<br>Rated current     | 192A  |      |       |      |       |      |       |
| 电压<br>Rated voltage     | 690V  |      |       |      |       |      |       |
| 进线<br>Inputs            | 25~70mm <sup>2</sup>  |      |       |      |       |      |       |
| 压线螺钉<br>Screw           | M10   |      |       |      |       |      |       |
| 螺钉头形<br>Screw heads     |   |      |       |      |       |      |       |
| 扭矩<br>Torque            | 10N·m   |      |       |      |       |      |       |
| 出线<br>Outputs           | 6x4~16mm <sup>2</sup>   |      |       |      |       |      |       |
| 压线螺钉<br>Screw           | M4  |      |       |      |       |      |       |
| 螺钉头形<br>Screw heads     |   |      |       |      |       |      |       |
| 扭矩<br>Torque            | 1.5~2N·m  |      |       |      |       |      |       |
| 安装螺钉<br>Mounting screw  | M4  |      |       |      |       |      |       |
| 包装<br>Packaging         | 10  |      |       |      |       |      |       |
| 色号<br>Color code        | <table border="0"> <tr> <td>● -Y</td> <td>● - B</td> </tr> <tr> <td>● -G</td> <td>● -YG</td> </tr> <tr> <td>● -R</td> <td>● -LG</td> </tr> </table> | ● -Y | ● - B | ● -G | ● -YG | ● -R | ● -LG |
| ● -Y                    | ● - B   |      |       |      |       |      |       |
| ● -G                    | ● -YG   |      |       |      |       |      |       |
| ● -R                    | ● -LG   |      |       |      |       |      |       |
| 订货号<br>Order No         | XK05340   |      |       |      |       |      |       |



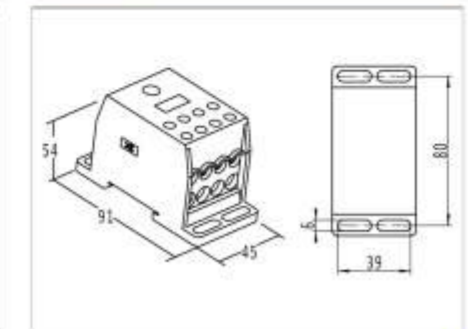
XK2-95/25x4

|                         |   |      |       |      |       |      |       |
|-------------------------|---|------|-------|------|-------|------|-------|
| 接线型式<br>Connection type | 一路进线，四路出线<br>1 input, 4 output  |      |       |      |       |      |       |
| 电流<br>Rated current     | 232A  |      |       |      |       |      |       |
| 电压<br>Rated voltage     | 690V  |      |       |      |       |      |       |
| 进线<br>Inputs            | 25~95mm <sup>2</sup>  |      |       |      |       |      |       |
| 压线螺钉<br>Screw           | M10   |      |       |      |       |      |       |
| 螺钉头形<br>Screw heads     |   |      |       |      |       |      |       |
| 扭矩<br>Torque            | 10N·m   |      |       |      |       |      |       |
| 出线<br>Outputs           | 4x6~25mm <sup>2</sup>   |      |       |      |       |      |       |
| 压线螺钉<br>Screw           | M5  |      |       |      |       |      |       |
| 螺钉头形<br>Screw heads     |   |      |       |      |       |      |       |
| 扭矩<br>Torque            | 2.5~3N·m  |      |       |      |       |      |       |
| 安装螺钉<br>Mounting screw  | M4  |      |       |      |       |      |       |
| 包装<br>Packaging         | 10  |      |       |      |       |      |       |
| 色号<br>Color code        | <table border="0"> <tr> <td>● -Y</td> <td>● - B</td> </tr> <tr> <td>● -G</td> <td>● -YG</td> </tr> <tr> <td>● -R</td> <td>● -LG</td> </tr> </table> | ● -Y | ● - B | ● -G | ● -YG | ● -R | ● -LG |
| ● -Y                    | ● - B   |      |       |      |       |      |       |
| ● -G                    | ● -YG   |      |       |      |       |      |       |
| ● -R                    | ● -LG   |      |       |      |       |      |       |
| 订货号<br>Order No         | XK05410   |      |       |      |       |      |       |



XK2-120/16x8

|                         |   |      |       |      |       |      |       |
|-------------------------|---|------|-------|------|-------|------|-------|
| 接线型式<br>Connection type | 一路进线，八路出线<br>1 input, 8 output  |      |       |      |       |      |       |
| 电流<br>Rated current     | 309A  |      |       |      |       |      |       |
| 电压<br>Rated voltage     | 690V  |      |       |      |       |      |       |
| 进线<br>Inputs            | 35~120mm <sup>2</sup>   |      |       |      |       |      |       |
| 压线螺钉<br>Screw           | M10   |      |       |      |       |      |       |
| 螺钉头形<br>Screw heads     |   |      |       |      |       |      |       |
| 扭矩<br>Torque            | 10N·m   |      |       |      |       |      |       |
| 出线<br>Outputs           | 8x4~16mm <sup>2</sup>   |      |       |      |       |      |       |
| 压线螺钉<br>Screw           | M4  |      |       |      |       |      |       |
| 螺钉头形<br>Screw heads     |   |      |       |      |       |      |       |
| 扭矩<br>Torque            | 1.5~2N·m  |      |       |      |       |      |       |
| 安装螺钉<br>Mounting screw  | M4  |      |       |      |       |      |       |
| 包装<br>Packaging         | 10  |      |       |      |       |      |       |
| 色号<br>Color code        | <table border="0"> <tr> <td>● -Y</td> <td>● - B</td> </tr> <tr> <td>● -G</td> <td>● -YG</td> </tr> <tr> <td>● -R</td> <td>● -LG</td> </tr> </table> | ● -Y | ● - B | ● -G | ● -YG | ● -R | ● -LG |
| ● -Y                    | ● - B   |      |       |      |       |      |       |
| ● -G                    | ● -YG   |      |       |      |       |      |       |
| ● -R                    | ● -LG   |      |       |      |       |      |       |
| 订货号<br>Order No         | XK05510   |      |       |      |       |      |       |





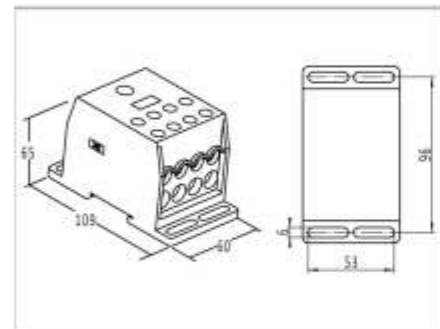
XK2-185/35x8



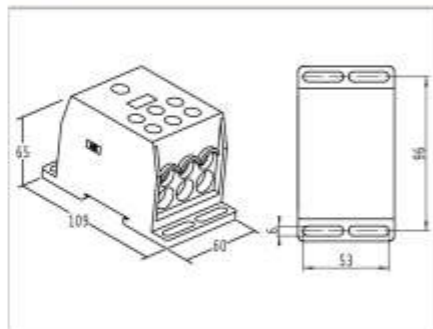
XK2-300/50x6\*



|                         |                                |
|-------------------------|--------------------------------|
| 接线型式<br>Connection type | 一路进线，八路出线<br>1 input, 8 output |
| 电流<br>Rated current     | 353A                           |
| 电压<br>Rated voltage     | 690V                           |
| 进线<br>Inputs            | 70~185mm <sup>2</sup>          |
| 压线螺钉<br>Screw           | M12                            |
| 螺钉头形<br>Screw heads     |                                |
| 扭矩<br>Torque            | 14N·m                          |
| 出线<br>Outputs           | 8x10~35mm <sup>2</sup>         |
| 压线螺钉<br>Screw           | M8                             |
| 螺钉头形<br>Screw heads     |                                |
| 扭矩<br>Torque            | 6N·m                           |
| 安装螺钉<br>Mounting screw  | M4                             |
| 包装<br>Packaging         | 5                              |
| 色号<br>Color code        | -Y -B<br>-G -YG<br>-R -LG      |
| 订货号<br>Order No         | XK05610                        |



|                         |                                |
|-------------------------|--------------------------------|
| 接线型式<br>Connection type | 一路进线，六路出线<br>1 input, 6 output |
| 电流<br>Rated current     | 630A                           |
| 电压<br>Rated voltage     | 690V                           |
| 进线<br>Inputs            | 95~300mm <sup>2</sup>          |
| 压线螺钉<br>Screw           | M16                            |
| 螺钉头形<br>Screw heads     |                                |
| 扭矩<br>Torque            | 25N·m                          |
| 出线<br>Outputs           | 6x10~50mm <sup>2</sup>         |
| 压线螺钉<br>Screw           | M8                             |
| 螺钉头形<br>Screw heads     |                                |
| 扭矩<br>Torque            | 6N·m                           |
| 安装螺钉<br>Mounting screw  | M4                             |
| 包装<br>Packaging         | 5                              |
| 色号<br>Color code        | -Y -B<br>-G -YG<br>-R -LG      |
| 订货号<br>Order No         | XK05710                        |



XK2S系列多用途端子(开关型)系由XK2系列产品派生而来的全新理念的新产品。用于各类电控配电设备中接在断路器末端用做分线之用,可直接与开关(断路器)连接,让你从此告别自制母线排(汇流排)的烦恼。密集型接线具有体积小,连接可靠。产品规格齐全,可覆盖从微型断路器到630型等各类断路器的末端分线连接。



产品具有以下优点:

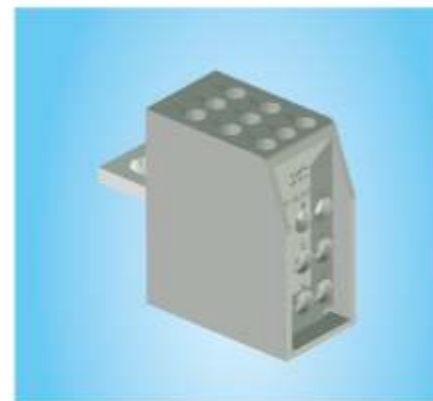
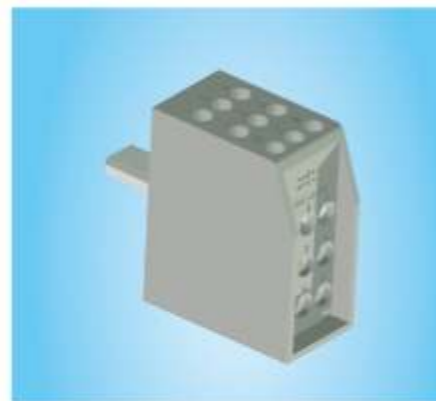
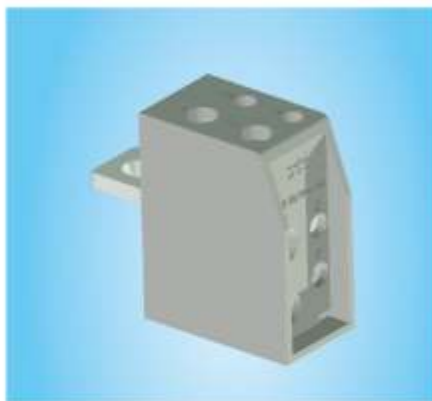
- 体积小,占用空间少,可减小设备体积,使布线更美观;
- 与开关之间的连接不用导线,减少节点,可靠性高;
- 品种规格齐全,满足从塑壳开关到微型断路器的各电流等级的应用;
- 接线时不用先拧松螺钉,导线插入端子直接紧固螺钉即可,使效率提高、工效倍增;
- 外形美观坚固,防护等级符合IEC 60529 IP20,使用更安全;
- 阻燃等级符合UL 94 V-0级;
- 可替代小容量母线排(汇流排),免除自制母线排的烦恼,节约有色金属,降低综合使用成本;
- 符合IEC60947-7-1, GB14048.7.1标准。

XK2S series terminal blocks is our latest line of XK2 designed for switchgears (model name "S"). It can be directly connected to the end of circuit breakers of the switchgears. It can also be used in miniature circuit breakers, molded case circuit breakers (below 630A) and any other circuit breakers for the switchgears.

- Provides compact and reliable connection by direct attaching to switchgear.
- Low-cost and reliable contact point design.
- Insert and click to connect cable, no need to loose screw.
- Passed UL 94 V-0 flammability test.
- IEC 60529 IP20 rated safety protection.
- Replaces low current busbars to save project cost.
- Fit for IEC60947-7-1.

专利号: 201120147267.5  
Patent No:





**XK2S-25/10x2+4x2**

**XK2S-35/10x2+4x2**

**XK2S-25/4x9**

**XK2S-35/4x9**

**XK2S-70/16x4**

**XK2S-70/10x6**

| 接线型式<br>Connection type | 四路出线<br>4 output                                |
|-------------------------|---|
| 电流<br>Rated current     | 101A  |
| 电压<br>Rated voltage     | 690V  |
| 出线<br>Outputs           | 2x2.5~10mm <sup>2</sup><br>2x1~4mm <sup>2</sup> |
| 压线螺钉<br>Screw           | M3, M4  |
| 螺钉头形<br>Screw heads     | ⊖ S 0.8x4<br>⊖ S 1x5.5                          |
| 扭矩<br>Torque            | 0.5~0.8N·m<br>1.2~1.8N·m                        |
| 包装<br>Packaging         | 40  |
| 订货号<br>Order No         | XK06110   |

| 接线型式<br>Connection type | 四路出线<br>4 output                                |
|-------------------------|---|
| 电流<br>Rated current     | 125A  |
| 电压<br>Rated voltage     | 690V  |
| 出线<br>Outputs           | 2x2.5~10mm <sup>2</sup><br>2x1~4mm <sup>2</sup> |
| 压线螺钉<br>Screw           | M3, M4  |
| 螺钉头形<br>Screw heads     | ⊖ S 0.8x4<br>⊖ S 1x5.5                          |
| 扭矩<br>Torque            | 0.5~0.8N·m<br>1.2~1.8N·m                        |
| 包装<br>Packaging         | 40  |
| 订货号<br>Order No         | XK06210   |

| 接线型式<br>Connection type | 九路出线<br>9 output     |
|-------------------------|----------------------|
| 电流<br>Rated current     | 101A                 |
| 电压<br>Rated voltage     | 690V                 |
| 出线<br>Outputs           | 9x1~4mm <sup>2</sup> |
| 压线螺钉<br>Screw           | M3                   |
| 螺钉头形<br>Screw heads     | ⊖ S 0.8x4            |
| 扭矩<br>Torque            | 0.5~0.8N·m           |
| 包装<br>Packaging         | 40                   |
| 订货号<br>Order No         | XK06120              |

| 接线型式<br>Connection type | 九路出线<br>9 output     |
|-------------------------|----------------------|
| 电流<br>Rated current     | 125A                 |
| 电压<br>Rated voltage     | 690V                 |
| 出线<br>Outputs           | 9x1~4mm <sup>2</sup> |
| 压线螺钉<br>Screw           | M3                   |
| 螺钉头形<br>Screw heads     | ⊖ S 0.8x4            |
| 扭矩<br>Torque            | 0.5~0.8N·m           |
| 包装<br>Packaging         | 40                   |
| 订货号<br>Order No         | XK06220              |

| 接线型式<br>Connection type | 四路出线<br>4 output      |
|-------------------------|-----------------------|
| 电流<br>Rated current     | 192A                  |
| 电压<br>Rated voltage     | 690V                  |
| 出线<br>Outputs           | 4x4~16mm <sup>2</sup> |
| 压线螺钉<br>Screw           | M4                    |
| 螺钉头形<br>Screw heads     | ⊖ S 1x5.5             |
| 扭矩<br>Torque            | 1.5~2N·m              |
| 包装<br>Packaging         | 25                    |
| 订货号<br>Order No         | XK06310               |

| 接线型式<br>Connection type | 六路出线<br>6 output        |
|-------------------------|-------------------------|
| 电流<br>Rated current     | 192A                    |
| 电压<br>Rated voltage     | 690V                    |
| 出线<br>Outputs           | 6x2.5~10mm <sup>2</sup> |
| 压线螺钉<br>Screw           | M4                      |
| 螺钉头形<br>Screw heads     | ⊖ S 1x5.5               |
| 扭矩<br>Torque            | 1.2~1.8N·m              |
| 包装<br>Packaging         | 25                      |
| 订货号<br>Order No         | XK06320                 |

尺寸  
Size

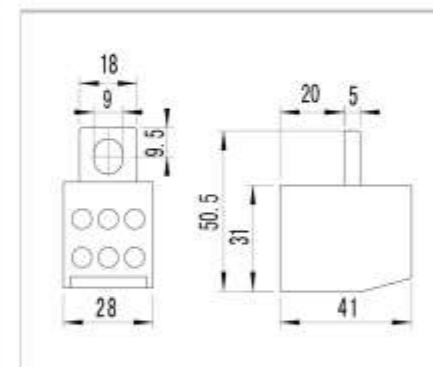
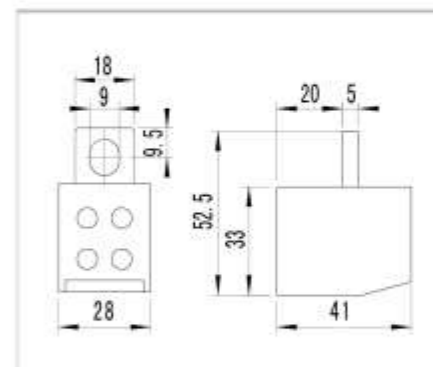
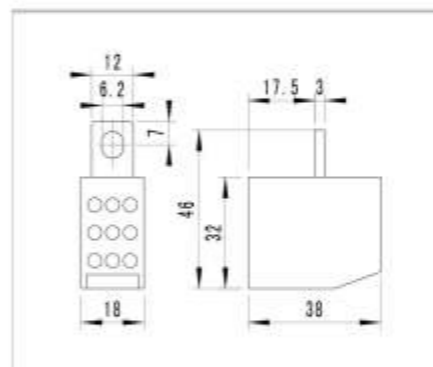
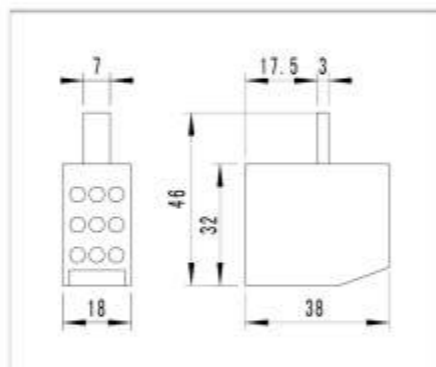
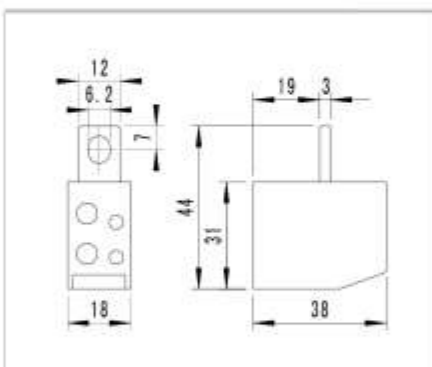
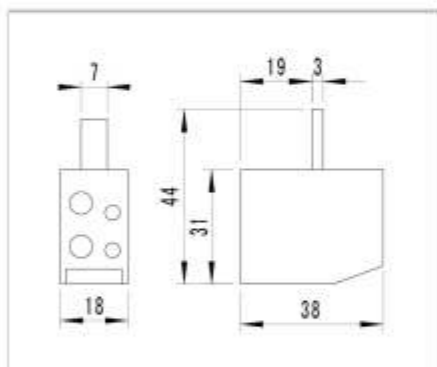
尺寸  
Size

尺寸  
Size

尺寸  
Size

尺寸  
Size

尺寸  
Size



JH27系列接线端子的问世，满足了各行业对大截面导线连接之需求，解决了当接入导线截面大于70mm<sup>2</sup>时，可靠性差，使用上的不便等种种缺陷。由于该产品的导电部件结构独特，使得导线的接入更为方便快捷，使用时只需剥去线端绝缘而无需对线端做任何处理便可接入，使用便捷、工效倍增。通过不同形状的导线夹的相互组合，使其不仅具有目前使用的接线端子的一般功能，还派生出了大电流分线端子。适用于电控配电、成套装置中的大截面导线连接和导线的分接等各种用途。可以相信：JH27系列接线端子的推出必将给电控配电行业的用户带来福音。



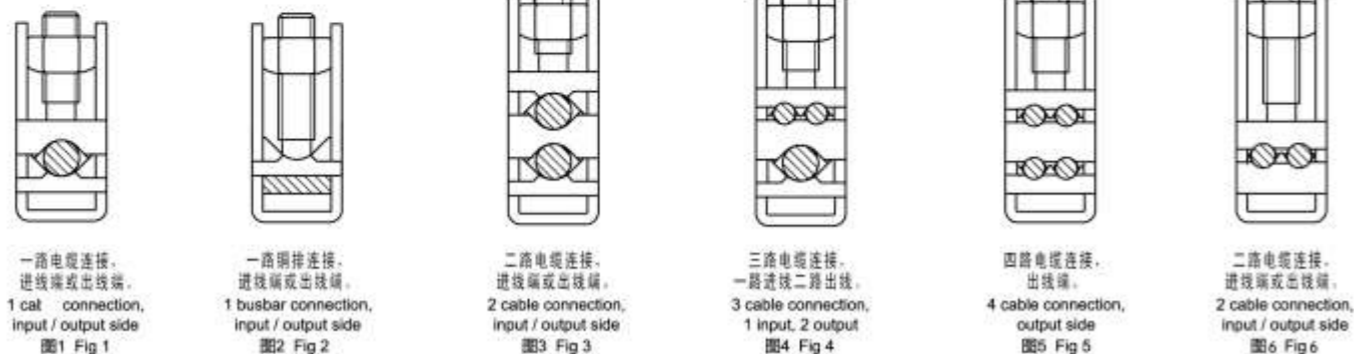
JH27大电流接线、分线端子——大截面接线新突破！

- 结构独特:线夹对导线呈包容咬合状，与导线接触面积大，辅之以高强度螺栓压接，防松抗震；
- 电气性能优异：接点(电)压降：0.98mV；温升27K，通过120A / mm<sup>2</sup> / 1s的短路电流强度试验；
- 线夹组合灵活可满足一进一出到一进六出多达十种接线方案；
- 现场接线时不用对线端作特殊处理,不用特殊工具,使用便捷,工效倍增；
- 高强度绝缘材料，机械强度高，阻燃等级符合UL 94 V-0级；
- 可替代大容量母线排(汇流排)，免除自制母线排的烦恼，美观可靠；
- 符合IEC60947-7-1,GB14048.7.1标准。

JH27 series is specially designed for wiring with big cable size > 70 mm<sup>2</sup>. While other traditional blocks fail with reliability issue and difficult to install when the cable gets bigger, JH27 still provides the same high quality of connection summarized as the following:

- Save 50%-70% cost comparing to busbar and branch cables.
- Provides flexible connection solution with 10 input/output combinations.
- Patented design provides reliable and wide area contact.
- Low resistance contact points, max voltage loss is only 0.98 mV.
- Molded with anti-aging, non-flammable, heat & impact resistance material, passed 120A/mm<sup>2</sup> short-circuits stress test and UL 94 V-0 flammability test.
- Accepts both copper and aluminum cables.
- Easy and quick installation. No specialty tools needed.
- Fit for IEC60947-7-1.

专利号：03230688.1  
Patent No:



额定电压/电流、截面：1000V/192A/70mm<sup>2</sup>  
Rated voltage/Current/Cross-section:

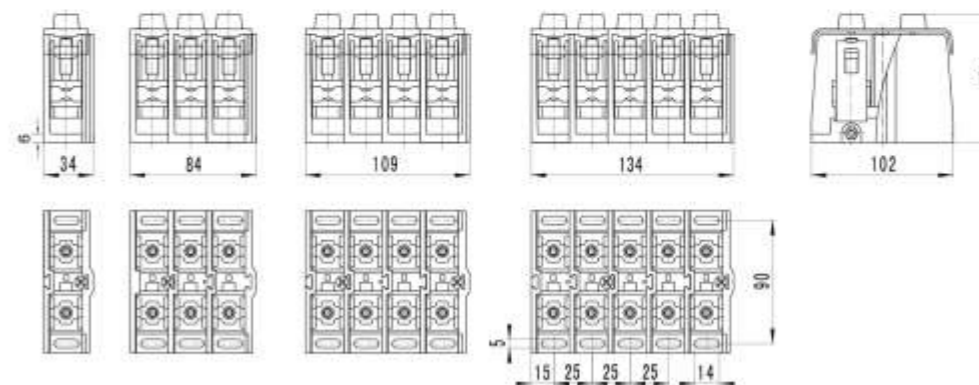
JH27-70

| 螺钉<br>Screw     | M8   | 拧紧力矩(N.m)<br>Torque(N.m) | 12   | 剥线长度(mm)<br>Stripping length(mm) | 25 | 安装螺钉<br>Mounting screw | M4 |
|-----------------|--|--------------------------|--|----------------------------------|----|------------------------|----|
| 产品型号规格<br>Model | 型式<br>Type   | 图示<br>Figure             | 压线范围mm <sup>2</sup><br>Wiring range (mm <sup>2</sup> ) | 订货号<br>Order No                  |    |                        |    |
| JH27-70         | 一路进(电缆) 一路出(电缆)<br>1 input(cable), 1 output(cable)   | 图1, 图1<br>Fig1, Fig1     | 16 - 70<br>16 - 70                                     | XK07111                          |    |                        |    |
| JH27-70B        | 一路进(铜排) 一路出(铜排)<br>1 input(bar), 1 output(bar)       | 图2, 图2<br>Fig2, Fig2     | 铜排宽度 ≤ 15mm<br>Bar Width ≤ 15mm                        | XK07121                          |    |                        |    |
| JH27-70C        | 一路进(铜排) 一路出(电缆)<br>1 input(bar), 1 output(cable)     | 图2, 图1<br>Fig2, Fig1     | 进(宽 ≤ 15), 出 10 - 70<br>In (Width ≤ 15), Out 10 - 70   | XK07131                          |    |                        |    |
| JH27-70D        | 一路进(电缆) 二路出(电缆)<br>1 input(cable), 2 output(cables)  | 图1, 图3<br>Fig1, Fig3     | 进 16 - 70, 出 10 - 35<br>In 16 - 70, Out 10 - 35        | XK07141                          |    |                        |    |
| JH27-70E        | 一路进(铜排) 二路出(电缆)<br>1 input(bar), 2 output(cables)    | 图2, 图3<br>Fig2, Fig3     | 进(宽 ≤ 15), 出 10 - 35<br>In (Width ≤ 15), Out 10 - 35   | XK07151                          |    |                        |    |
| JH27-70F        | 一路进(电缆) 四路出(电缆)<br>1 input(cable), 4 output(cables)  | 图1, 图5<br>Fig1, Fig5     | 进 16 - 70, 出 6 - 25<br>In 16 - 70, Out 6 - 25          | XK07161                          |    |                        |    |
| JH27-70G        | 一路进(铜排) 四路出(电缆)<br>1 input(bar), 4 output(cables)    | 图2, 图5<br>Fig2, Fig5     | 进(宽 ≤ 15), 出 6 - 25<br>In (Width ≤ 15), Out 6 - 25     | XK07171                          |    |                        |    |
| JH27-70H        | 一路进(电缆) 六路出(电缆)*<br>1 input(cable), 6 output(cables) | 图4, 图5<br>Fig4, Fig5     | 进 16 - 50, 出 6 - 25<br>In 16 - 50, Out 6 - 25          | XK07181                          |    |                        |    |
| JH27-70J        | 二路进(电缆) 二路出(电缆)<br>2 input(cables), 2 output(cables) | 图3, 图3<br>Fig3, Fig3     | 进 10 - 35, 出 10 - 35<br>In 10 - 35, Out 10 - 35        | XK07191                          |    |                        |    |
| JH27-70K        | 二路进(电缆) 四路出(电缆)<br>2 input(cables), 4 output(cables) | 图3, 图5<br>Fig3, Fig5     | 进 10 - 35, 出 6 - 25<br>In 10 - 35, Out 6 - 25          | XK07101                          |    |                        |    |

注：一路进，六路出的分线端子，其中二路在进线端出线

\*For 1 cable in 6 cable out blocks, 2 output cables are connected through the input side.

\*\*The "bar" mentioned below stands for copper bar.







额定电压/电流、截面: 1000V/232A/95mm<sup>2</sup>  
Rated voltage/Current/Cross-section:

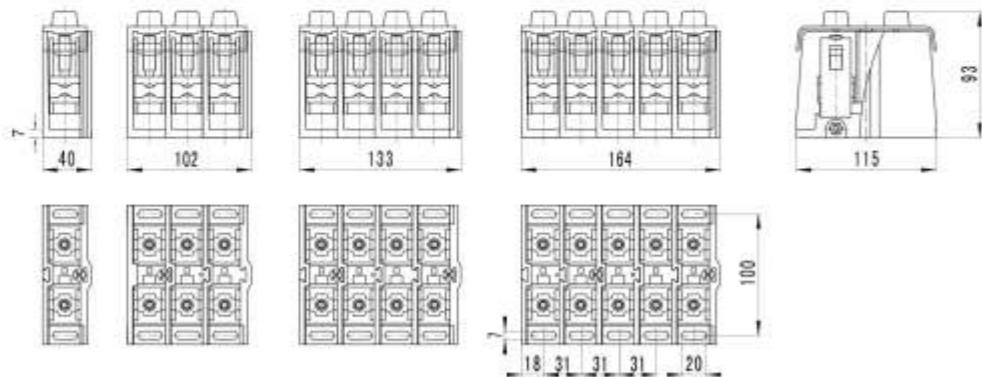
### JH27-95

| 螺钉<br>Screw     | M10  | 拧紧力矩(N.m)<br>Torque(N.m) | 20   | 剥线长度(mm)<br>Stripping length(mm) | 30 | 安装螺钉<br>Mounting screw | M5 |
|-----------------|--|--------------------------|--|----------------------------------|----|------------------------|----|
| 产品型号规格<br>Model | 型式<br>Type   | 图示<br>Figure             | 压线范围mm <sup>2</sup><br>Wiring range (mm <sup>2</sup> ) | 订货号<br>Order No                  |    |                        |    |
| JH27-95         | 一路进(电缆) 一路出(电缆)<br>1 input(cable), 1 output(cable)   | 图1, 图1<br>Fig1, Fig1     | 16 - 95<br>16 - 95                                     | XK07211                          |    |                        |    |
| JH27-95B        | 一路进(铜排) 一路出(铜排)<br>1 input(bar), 1 output(bar)       | 图2, 图2<br>Fig2, Fig2     | 铜排宽度 ≤ 18mm<br>Bar Width ≤ 18mm                        | XK07221                          |    |                        |    |
| JH27-95C        | 一路进(铜排) 一路出(电缆)<br>1 input(bar), 1 output(cable)     | 图2, 图1<br>Fig2, Fig1     | 进(宽 ≤ 18), 出 16 - 95<br>In (Width ≤ 18), Out 16 - 95   | XK07231                          |    |                        |    |
| JH27-95D        | 一路进(电缆) 二路出(电缆)<br>1 input(cable), 2 output(cables)  | 图1, 图3<br>Fig1, Fig3     | 进 16 - 95, 出 10 - 50<br>In 16 - 95, Out 10 - 50        | XK07241                          |    |                        |    |
| JH27-95E        | 一路进(铜排) 二路出(电缆)<br>1 input(bar), 2 output(cables)    | 图2, 图3<br>Fig2, Fig3     | 进(宽 ≤ 18), 出 10 - 50<br>In (Width ≤ 18), Out 10 - 50   | XK07251                          |    |                        |    |
| JH27-95F        | 一路进(电缆) 四路出(电缆)<br>1 input(cable), 4 output(cables)  | 图1, 图5<br>Fig1, Fig5     | 进 16 - 95, 出 10 - 35<br>In 16 - 95, Out 10 - 35        | XK07261                          |    |                        |    |
| JH27-95G        | 一路进(铜排) 四路出(电缆)<br>1 input(bar), 4 output(cables)    | 图2, 图5<br>Fig2, Fig5     | 进(宽 ≤ 18), 出 10 - 35<br>In (Width ≤ 18), Out 10 - 35   | XK07271                          |    |                        |    |
| JH27-95H        | 一路进(电缆) 六路出(电缆)*<br>1 input(cable), 6 output(cables) | 图4, 图5<br>Fig4, Fig5     | 进 16 - 70, 出 10 - 35<br>In 16 - 70, Out 10 - 35        | XK07281                          |    |                        |    |
| JH27-95J        | 二路进(电缆) 二路出(电缆)<br>2 input(cables), 2 output(cables) | 图3, 图3<br>Fig3, Fig3     | 进 10 - 50, 出 10 - 50<br>In 10 - 50, Out 10 - 50        | XK07291                          |    |                        |    |
| JH27-95K        | 二路进(电缆) 四路出(电缆)<br>2 input(cables), 4 output(cables) | 图3, 图5<br>Fig3, Fig5     | 进 10 - 50, 出 10 - 35<br>In 10 - 50, Out 10 - 35        | XK07201                          |    |                        |    |

注: 一路进, 六路出的分线端子, 其中二路在进线端出线

\*For 1 cable in 6 cable out blocks, 2 output cables are connected through the input side.

\*\*The "bar" mentioned below stands for copper bar.



额定电压/电流、截面: 1000V/309A/150mm<sup>2</sup>  
Rated voltage/Current/Cross-section:

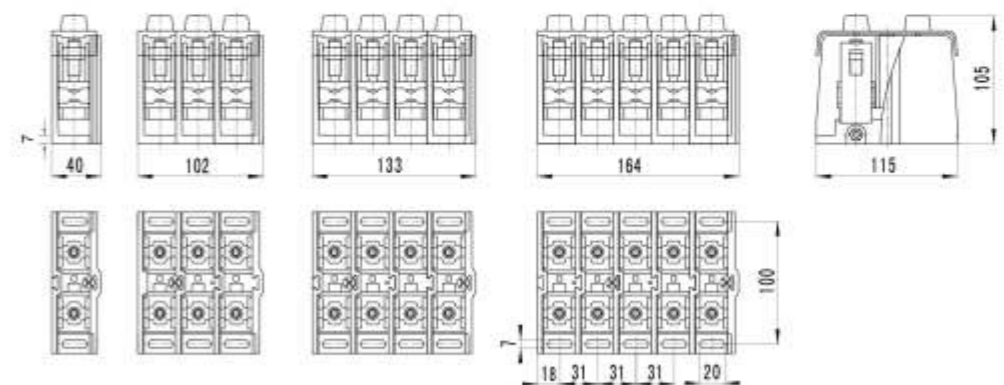
### JH27-150

| 螺钉<br>Screw     | M10  | 拧紧力矩(N.m)<br>Torque(N.m) | 20   | 剥线长度(mm)<br>Stripping length(mm) | 30 | 安装螺钉<br>Mounting screw | M5 |
|-----------------|--|--------------------------|--|----------------------------------|----|------------------------|----|
| 产品型号规格<br>Model | 型式<br>Type   | 图示<br>Figure             | 压线范围mm <sup>2</sup><br>Wiring range (mm <sup>2</sup> ) | 订货号<br>Order No                  |    |                        |    |
| JH27-150        | 一路进(电缆) 一路出(电缆)<br>1 input(cable), 1 output(cable)   | 图1, 图1<br>Fig1, Fig1     | 16 - 150<br>16 - 150                                   | XK07311                          |    |                        |    |
| JH27-150B       | 一路进(铜排) 一路出(铜排)<br>1 input(bar), 1 output(bar)       | 图2, 图2<br>Fig2, Fig2     | 铜排宽度 ≤ 18mm<br>Bar Width ≤ 18mm                        | XK07321                          |    |                        |    |
| JH27-150C       | 一路进(铜排) 一路出(电缆)<br>1 input(bar), 1 output(cable)     | 图2, 图1<br>Fig2, Fig1     | 进(宽 ≤ 18), 出 16 - 150<br>In (Width ≤ 18), Out 16 - 150 | XK07331                          |    |                        |    |
| JH27-150D       | 一路进(电缆) 二路出(电缆)<br>1 input(cable), 2 output(cables)  | 图1, 图3<br>Fig1, Fig3     | 进 16 - 150, 出 16 - 70<br>In 16 - 150, Out 16 - 70      | XK07341                          |    |                        |    |
| JH27-150E       | 一路进(铜排) 二路出(电缆)<br>1 input(bar), 2 output(cables)    | 图2, 图3<br>Fig2, Fig3     | 进(宽 ≤ 18), 出 16 - 70<br>In (Width ≤ 18), Out 16 - 70   | XK07351                          |    |                        |    |
| JH27-150F       | 一路进(电缆) 四路出(电缆)<br>1 input(cable), 4 output(cables)  | 图1, 图5<br>Fig1, Fig5     | 进 16 - 150, 出 10 - 35<br>In 16 - 150, Out 10 - 35      | XK07361                          |    |                        |    |
| JH27-150G       | 一路进(铜排) 四路出(电缆)<br>1 input(bar), 4 output(cables)    | 图2, 图5<br>Fig2, Fig5     | 进(宽 ≤ 18), 出 10 - 35<br>In (Width ≤ 18), Out 10 - 35   | XK07371                          |    |                        |    |
| JH27-150H       | 一路进(电缆) 六路出(电缆)*<br>1 input(cable), 6 output(cables) | 图4, 图5<br>Fig4, Fig5     | 进 16 - 95, 出 10 - 35<br>In 16 - 95, Out 10 - 35        | XK07381                          |    |                        |    |
| JH27-150J       | 二路进(电缆) 二路出(电缆)<br>2 input(cables), 2 output(cables) | 图3, 图3<br>Fig3, Fig3     | 进 10 - 70, 出 10 - 70<br>In 10 - 70, Out 10 - 70        | XK07391                          |    |                        |    |
| JH27-150K       | 二路进(电缆) 四路出(电缆)<br>2 input(cables), 4 output(cables) | 图3, 图5<br>Fig3, Fig5     | 进 10 - 70, 出 10 - 35<br>In 10 - 70, Out 10 - 35        | XK07301                          |    |                        |    |

注: 一路进, 六路出的分线端子, 其中二路在进线端出线

\*For 1 cable in 6 cable out blocks, 2 output cables are connected through the input side.

\*\*The "bar" mentioned below stands for copper bar.

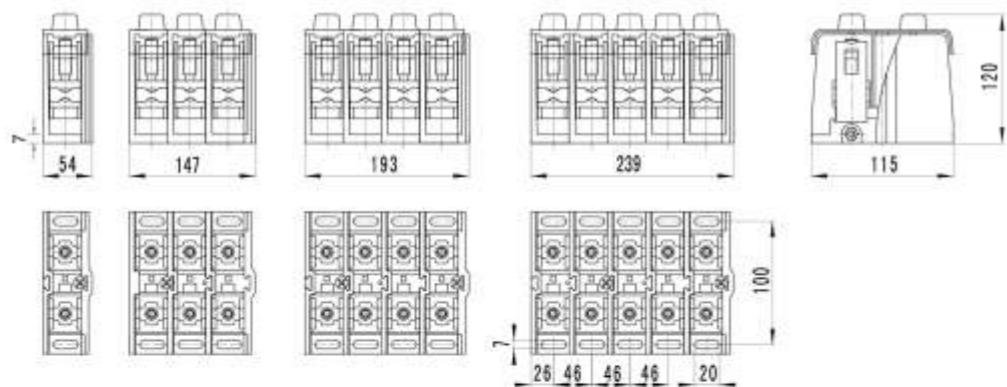




额定电压/电流、截面: 1000V/415A/240mm<sup>2</sup>  
Rated voltage/Current/Cross-section:

### JH27-240

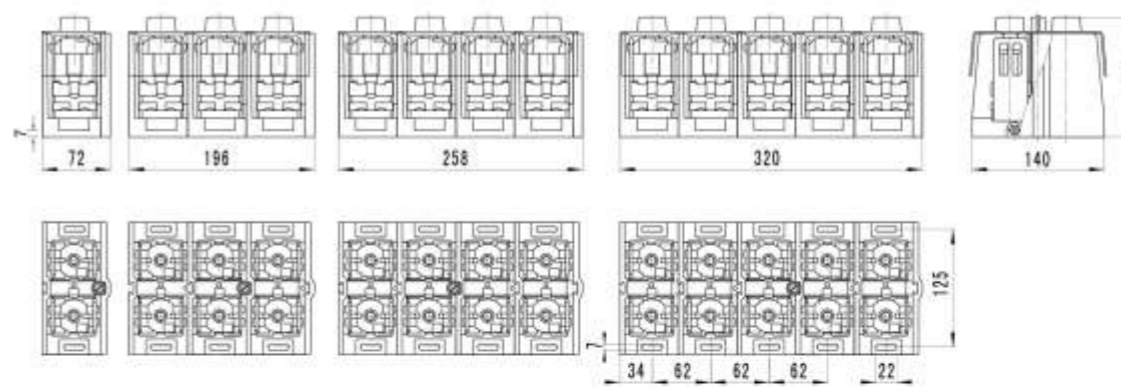
| 螺钉<br>Screw     | M12   | 拧紧力矩(N.m)<br>Torque(N.m) | 40   | 剥线长度(mm)<br>Stripping length(mm) | 30 | 安装螺钉<br>Mounting screw | M6 |
|-----------------|---|--------------------------|--|----------------------------------|----|------------------------|----|
| 产品型号规格<br>Model | 型式<br>Type  | 图示<br>Figure             | 压线范围mm <sup>2</sup><br>Wiring range (mm <sup>2</sup> ) | 订货号<br>Order No                  |    |                        |    |
| JH27-240        | 一路进(电缆) 一路出(电缆)<br>1 input(cable),1 output(cable)   | 图1, 图1<br>Fig1, Fig1     | 35 - 240<br>35 - 240                                   | XK07411                          |    |                        |    |
| JH27-240B       | 一路进(铜排) 一路出(铜排)<br>1 input(bar),1 output(bar)       | 图2, 图2<br>Fig2, Fig2     | 铜排宽度 ≤ 25mm<br>Bar Width ≤ 25mm                        | XK07421                          |    |                        |    |
| JH27-240C       | 一路进(铜排) 一路出(电缆)<br>1 input(bar),1 output(cable)     | 图2, 图1<br>Fig2, Fig1     | 进(宽 ≤ 25), 出 25 - 240<br>In (Width ≤ 25), Out 25 - 240 | XK07431                          |    |                        |    |
| JH27-240D       | 一路进(电缆) 二路出(电缆)<br>1 input(cable),2 output(cables)  | 图1, 图3<br>Fig1, Fig3     | 进 25 - 240, 出 25 - 120<br>In 25 - 240, Out 25 - 120    | XK07441                          |    |                        |    |
| JH27-240E       | 一路进(铜排) 二路出(电缆)<br>1 input(bar),2 output(cables)    | 图2, 图3<br>Fig2, Fig3     | 进(宽 ≤ 25), 出 25 - 120<br>In (Width ≤ 25), Out 25 - 120 | XK07451                          |    |                        |    |
| JH27-240J       | 二路进(电缆) 二路出(电缆)<br>2 input(cables),2 output(cables) | 图3, 图3<br>Fig3, Fig3     | 进 25 - 150, 出 25 - 150<br>In 25 - 150, Out 25 - 150    | XK07491                          |    |                        |    |



额定电压/电流、截面: 1000V/630A/300mm<sup>2</sup>  
Rated voltage/Current/Cross-section:

### JH27-300

| 螺钉<br>Screw     | M16   | 拧紧力矩(N.m)<br>Torque(N.m) | 50   | 剥线长度(mm)<br>Stripping length(mm) | 42 | 安装螺钉<br>Mounting screw | M6 |
|-----------------|---|--------------------------|--|----------------------------------|----|------------------------|----|
| 产品型号规格<br>Model | 型式<br>Type  | 图示<br>Figure             | 压线范围mm <sup>2</sup><br>Wiring range (mm <sup>2</sup> ) | 订货号<br>Order No                  |    |                        |    |
| JH27-300        | 一路进(电缆) 一路出(电缆)<br>1 input(cable),1 output(cable)   | 图1, 图1<br>Fig1, Fig1     | 50 - 300<br>50 - 300                                   | XK07511                          |    |                        |    |
| JH27-300B       | 一路进(铜排) 一路出(铜排)<br>1 input(bar),1 output(bar)       | 图2, 图2<br>Fig2, Fig2     | 铜排宽度 ≤ 40mm<br>Bar Width ≤ 40mm                        | XK07521                          |    |                        |    |
| JH27-300C       | 一路进(铜排) 一路出(电缆)<br>1 input(bar),1 output(cable)     | 图2, 图1<br>Fig2, Fig1     | 进(宽 ≤ 40), 出 50 - 300<br>In (Width ≤ 40), Out 50 - 300 | XK07531                          |    |                        |    |
| JH27-300D       | 一路进(电缆) 二路出(电缆)<br>1 input(cable),2 output(cables)  | 图1, 图6<br>Fig1, Fig6     | 进 50 - 300, 出 25 - 240<br>In 50 - 300, Out 25 - 240    | XK07541                          |    |                        |    |
| JH27-300E       | 一路进(铜排) 二路出(电缆)<br>1 input(bar),2 output(cables)    | 图2, 图6<br>Fig2, Fig6     | 进(宽 ≤ 40), 出 25 - 240<br>In (Width ≤ 40), Out 25 - 240 | XK07551                          |    |                        |    |
| JH27-300J       | 二路进(电缆) 二路出(电缆)<br>2 input(cables),2 output(cables) | 图6, 图6<br>Fig6, Fig6     | 进 35 - 240, 出 35 - 240<br>In 35 - 240, Out 35 - 240    | XK07591                          |    |                        |    |
| JH27-300T       | 一路进(电缆) 三路进(电缆)<br>1 input(cable),3 output(cable)   | 图1, 图4<br>Fig1, Fig4     | 进 50 - 300, 出 25 - 95<br>In 50 - 300, Out 25 - 95      | XK07501                          |    |                        |    |

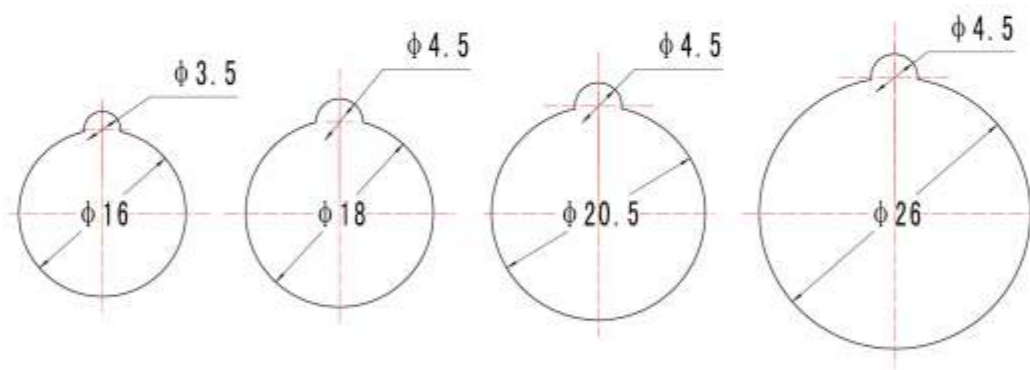




|                         |  |         |         |         |
|-------------------------|--|---------|---------|---------|
| 额定电压:<br>Voltage:       | 690V   |         |         |         |
| 额定电流:<br>Current:       | 100A - 630A  |         |         |         |
| 适用电缆截面:<br>Cable range: | 25 - 300mm <sup>2</sup>  |         |         |         |
| 材料:<br>Material:        | DMC 黄铜<br>DMC BRASS  |         |         |         |
| 品种规格:<br>Specification: | M8   | M10     | M12     | M16     |
| 订货号:<br>Order No.:      | XK09110  | XK09120 | XK09130 | XK09140 |
| 颜色:<br>Colour:          | ●-R ●-B  |         |         |         |
| 主要用途:<br>Application:   | 适用于各类电气装置中作板前板后及相邻装置间的电气连接。<br>Apply to all kinds of electrical devices in board before and after the board the electrical connection between adjacent device. |         |         |         |



» 开孔尺寸  
Hole size



资质证书  
Certificates



上海向开电气有限公司  
Shanghai XiangKai Electric Co.,Ltd

地址: 上海市殷高路1号 邮编: 200439  
Add: No.1 Yin-Gao Rd, Shanghai, China 200439  
Tel: +86-21-65628968 65917108  
Fax: +86-21-35053408 65917038  
E-mail: xkdq@xkdq.com.cn  
Website: www.xkdq.com.cn  
www.shxkdq.com



English